

Phenix SR 0400



Description

The Busch's Phenix Dry Collection System has been designed with the packaging industry in mind. When a packaging machine cuts and trims the plastic packaging material, a large amount of plastic scrap is produced. The Phenix collects these scrap pieces into a container using vacuum created by a three-stage centrifugal blower. The unique design of this system collects the scrap pieces on the inside of the collection container while the actual suction of the blower is in the center of the container, which allows the

removable canister to fill completely. The centrifugal blower has the additional benefits of low noise and low power requirements. The outer housing is made of stainless steel to be compatible with the requirements of the food industry.

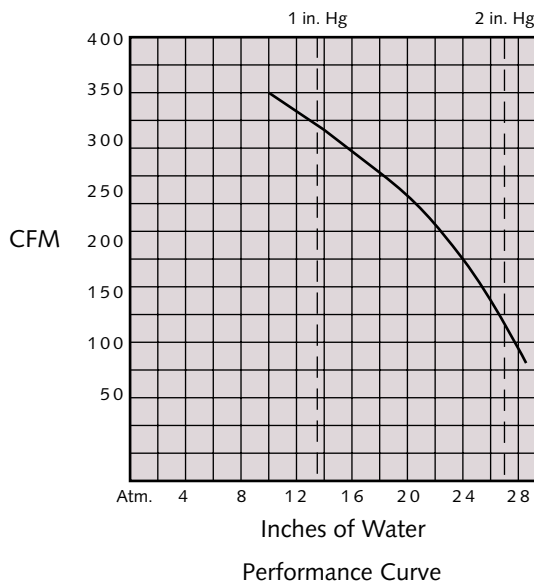
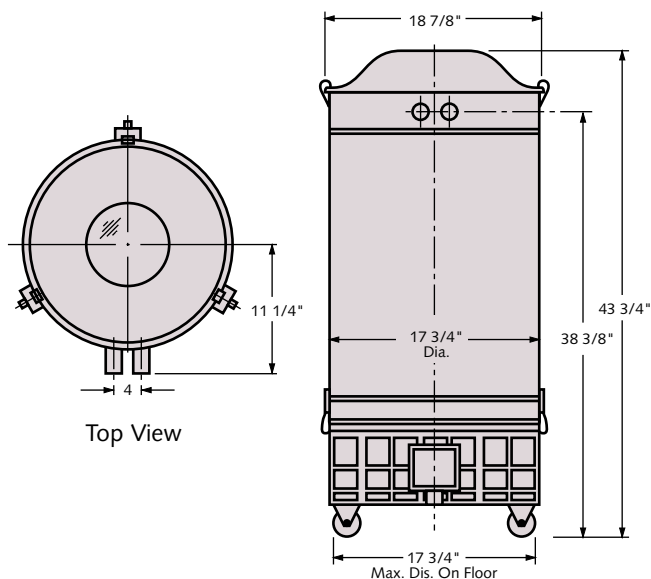
Features

- Three-stage centrifugal blower for maximum flow and low power requirements
- Air-cooled drive motor – cool operation for long and trouble-free service life

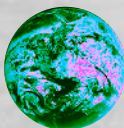
- Stainless steel housing and completely oil-less blower – for operation in food packaging areas
- Caster mounted – for easy mobility
- Transparent cover – a quick look tells when collection canister needs to be emptied, releasing three clips allows the canister to be easily removed.
- Dual suction ports – Permits collection of scraps from two points on the trim line.



Technical Data and Dimensions



Model	Max. Differential Pressure	Noise Level	Tank Volume	Motor Size	Voltage
SR 400	28.5" H ₂ O	74 dBA	8 gals.	3.5 HP (2.6 kW)	230/400 V, 50 Hz, 3 Phase 230/400 V, 50 Hz, 3 Phase



Busch - all over the world in industry

ISO 9001-2000 Registered Company

Busch LLC 516 Viking Drive Virginia Beach, VA 23452
Phone (757) 463-7800 FAX (757) 463-7407

www.buschusa.com
1-800-USA-PUMP

Amsterdam Barcelona Birmingham Basel Brussels Dublin Göteborg Helsinki Istanbul Copenhagen Kuala Lumpur Milan Maulburg Melbourne Montreal Moscow
New York New Plymouth Oslo Paris San Jose São Paulo Seoul Singapore Taipei Tokyo Vienna